

PIT FLOOR PLAN FOR LIFT PLATFORMS: HEAVY-DUTY DESIGN

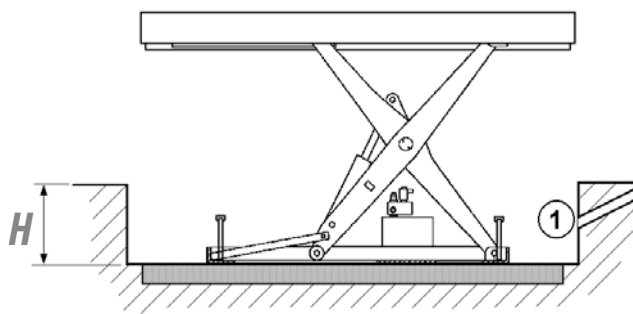
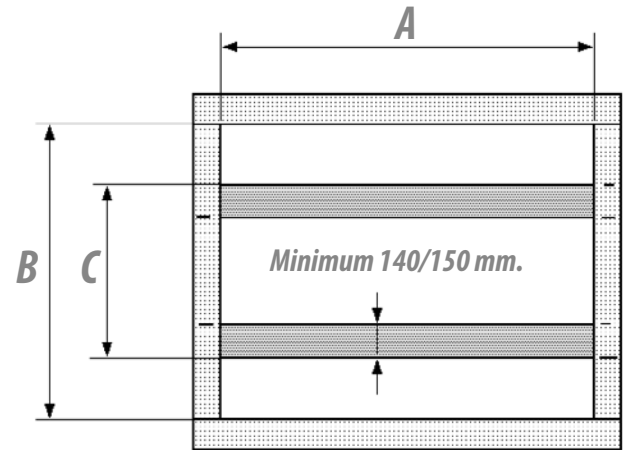
Pit floor plan

Calculating the dimensions

A = length of the lift platform + 30 mm.

B = width of the lift platform + 30 mm.

C = width of the base frame



Cross section of the pit

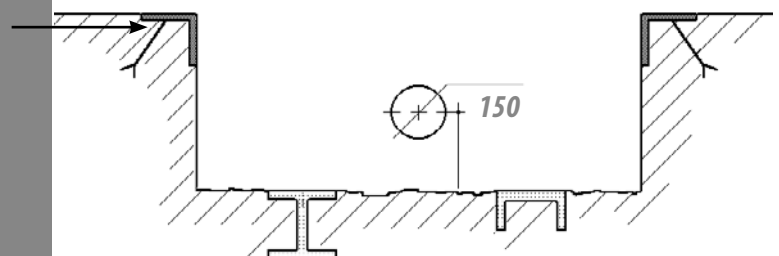
1. The guide channel (= 150 mm) for the cables and hoses must be positioned in the centre of the short side where the hydraulic aggregate is located.

H = height of the closed lift platform + 5 / 10 mm

Front section of the pit

Angle piece 60x60x6 or similar serves as edge protection.

The 2 I or U bearers are not needed if the concrete floor is smooth and even and the load is arranged appropriately.



**NOTE: Adhere to the dimensions when positioning the 2 profiles.
It is not necessary to give the walls and floor of the pit a special finish.**